

# Cardinal LOAD CELLS

## SERIES CB6 - SEALED BENDING BEAM MODELS



- Capacities from 10 to 200 kg
- Excellent price-to-performance ratio
- Proven bending beam design
- Stainless steel construction
- NTEP and OIML CC
- Environmentally protected to IP 67
- 2 year limited warranty

The CB6 is a high performance, sealed bending beam load cell for use in low profile platforms, flexure bases, hanging scales, scale conversions, hopper and packaging scales, and a variety of other medical, industrial, and process weighing applications.

The CB6 is easy to install and use and is interchangeable with most other load cells of its type. Stainless steel construction and welded bellows seals are critical components making the CB6 ideally suited for use in harsh and corrosive environments and where routine “washdowns” occur.

### SPECIFICATIONS

#### Mechanical Data

Rated Capacity, (R.C.) $E_{max}$  . 10, 20, 50, 100 & 200 kg  
Minimum Dead Load ..... 0 kg  
Safe Load Limit ..... 150% R.C.  
Ultimate Load ..... 300% R.C.  
Deflection at R.C. .... 0.2 to 0.64 mm  
Spring Element Material ..... 17-4 PH  
Net Weight ..... 0.4 kg

#### Certificate Data

Issuing Body ..... NTEP ..... OIML  
Certificate Number ..... 96-091 .... R60/1991-DK-96.04  
Accuracy Class ..... III ..... C3  
Maximum Number of Load  
Cell Intervals,  $n_{max}$  ..... 4000 ..... 3000  
Single/Multiple ..... S  
Humidity Symbol ..... CH  
Minimum Load Cell  
Verification Interval  $V_{min}$  ..... .001, .002, .005, .01, & .02 kg

#### Electrical Data

Rated Output .....  $2 \pm 0.1\%$  mV/V  
Excitation Voltage,  
Recommended ..... 10 VDC  
Excitation Voltage,  
Maximum ..... 15 VDC  
Cable Length ..... 3m  
Terminal Resistance  
Excitation ..... 400 ohms  $\pm$  7 ohms  
Signal ..... 350  $\pm$  5 ohms  
Zero Load Output .....  $\pm 1\%$  R.C.  
Insulation Resistance ..... >5000 megohms at  
50 VDC

#### Environmental Data

Temperature Compensation  
Range .....  $-10^{\circ}$  to  $+40^{\circ}$ C  
Operating Temperature Range ..  $-29^{\circ}$  to  $+93^{\circ}$ C  
Construction & Protection  
Code ..... CP-67 HU, IP67  
Barometric Pressure Effect  
on Zero Load Output ..... <1 v (min)/1kPa

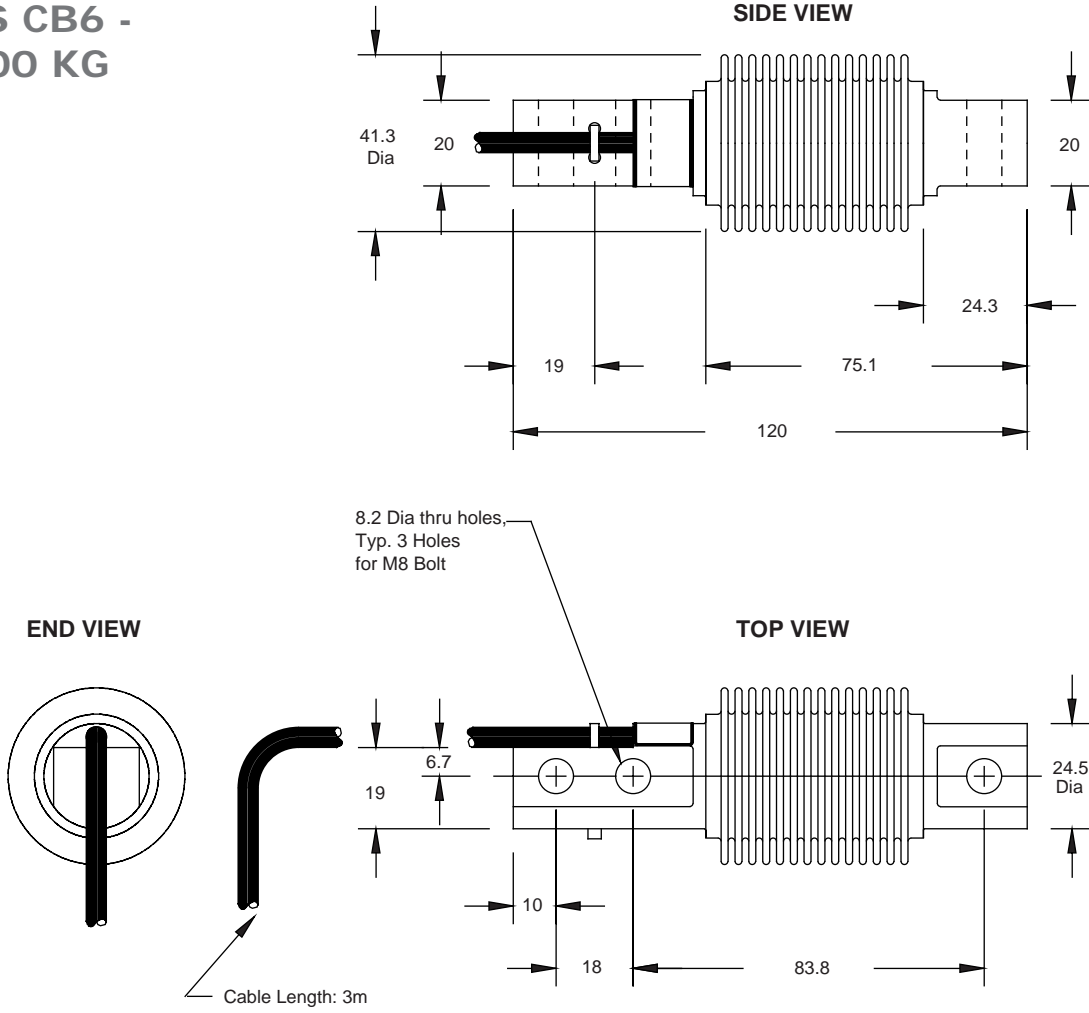
#### Color Code

+ Excitation ..... Green | - Signal ..... White  
- Excitation ..... Black | + Signal ..... Red

Standard CB6-20 kg to CB6-200 kg meets all the requirements for NTEP; S, III, 4000. CB6-20 kg to CB6-200 kg is optionally available to meet requirements for NTEP; S, III 4000. Standard CB6-10 to CB6-200 meets the requirements for OIML; C3. CB6-10 to CB6-200 are optionally available to meet the requirements for OIML; C4. NTEP CC does not apply to CB6-10. Contact factory for details.

# SEALED BENDING BEAM LOAD CELLS

MODELS CB6 -  
10 to 200 KG



**IMPORTANT NOTICE**

Dimensions are in mm unless noted otherwise. Request certified drawings before designing fixtures.



The SCA Series Load Cells meet all requirements of OIML R60 and has been issued OIML certificate no. R60/1991-DK-96.04.



The SCA Series Load Cells meet all requirements of Handbook 44, issued by the National Institute of Standards and Technology and have been issued the NTEP Certificate of Conformance No. 96-091.



Cardinal Scale reserves the right to improve, enhance and modify features and specifications without prior notice.

